

Industrial Ironers

IC44819, IC44821, IC44825, IC44828, IC44832 R/LF



Features and benefits

- Easy-to-use electronic control panel, RABC (Risk Analysis and Biocontamination Control – EN 14065) compatible
- DIAMMS (Direct Ironer Advanced Moisture Management System) system; Automatic speed adjustment with moisture sensors to ensure a perfect result
- Pressure roll with tightener springs, prevents wrinkling
- Return feed, can be installed close to a wall for maximum space utilisation (LF model)
- Labour saving automatic length-folding device (LF model)
- Rear delivery (R model)
- Finger guard protection provides additional security for operators
- Durable ironing belts made of Nomex® which can withstand temperatures above 200°C
- Nickel-plated cylinder prevents rust and improves lifetime
- Maintenance free ceramic gas burner increases reliability for gas heated ironers

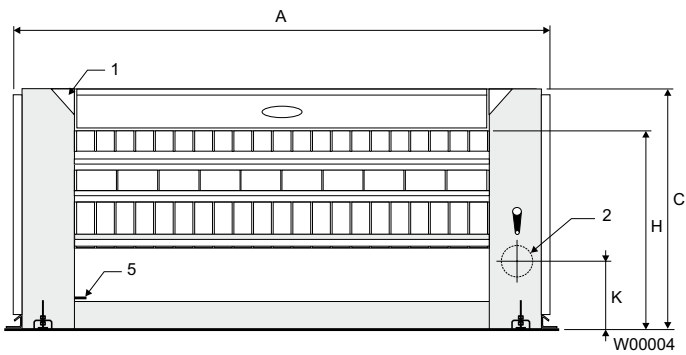
Main options

- Multi-layer cylinder Dubixium™ for increased production on electric and gas heated machines
- CMIS (Certus Management Information System) connection for traceability according to European Standard EN14065

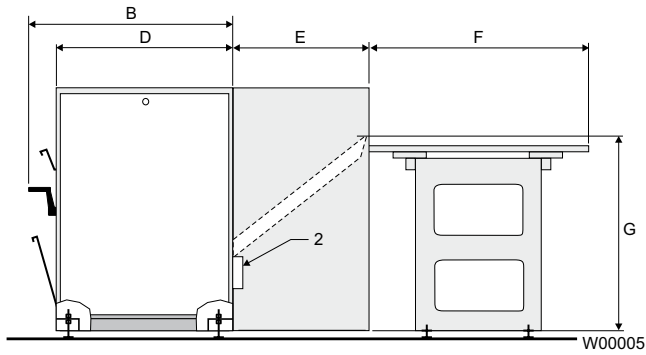
Main specifications		IC44819	IC44821	IC44825	IC44828	IC44832	
Capacity*, max. water evaporation**	l/h	38/57/35	40/63/37	48/75/46	51/81/51	59/93/59	
Cylinder, diameter (el,gas/steam)	mm	479/457	479/457	479/457	479/457	479/457	
	length	mm	1910	2120	2540	2750	3170
Ironing speed	m/min	1.5-9	1.5-9	1.5-9	1.5-9	1.5-9	
Heating,	electricity	kW	33	37	44	47	54
	steam (900 kPa)	kg/h	83	92	110	123	141
	gas	Btu/h (kW)	133100(39)	150100(44)	177400(52)	191100(56)	221800(65)
* 50% residual moisture content cotton 180g/m ² and 100% cylinder use (ISO 9398-1).							
** El/steam/gas.							

Electrical connections*			IC44819	IC44821	IC44825	IC44828	IC44832
Heating Voltage							
EI	400-415V 3AC 50/60 Hz	kW(A)	35 (63)	38 (63)	45 (80)	49 (80)	56 (100)
Gas, steam							
	400-415V 3AC 50/60 Hz	kW(A)	2 (16)	2 (16)	2 (16)	2 (16)	2 (16)
Steam, gas and air connections							
Steam		DN	20	20	20	20	20
Rec. steam pressure		kPa	900	900	900	900	900
Condensate		DN	10	10	10	10	10
Gas		DN	20	20	20	20	20
Gas pressure,							
natural gas (G20/G25)		Pa	2000/2500	2000/2500	2000/2500	2000/2500	2000/2500
propane (G31)		Pa	3700/5000	3700/5000	3700/5000	3700/5000	3700/5000
Air outlet		ø mm	160	160	160	160	160
Evacuated air		m ³ /h	580	590	610	640	650
Pressure drop		max. Pa	200	200	200	200	200
Sound levels							
Airborne sound level		dB(A)	65	65	65	65	65
Heat emission							
% of installed power, max.			3	3	3	3	3
Shipping data, (LF models)							
		net, kg	700/840	750/890	860/980	940/1060	1040/1150
		crated, kg	1025/1160	1065/1205	1190/1375	1375/1500	1475/1625
Shipping volume, basic & LF/R models		m ³	4.5/6.8	4.8/6.7	5.4/7.6	5.6/8.0	6.2/8.9
Dimensions in mm							
A	Width		2575	2785	3205	3415	3835
B	Depth		1070	1070	1070	1070	1070
C	Height		1270	1270	1270	1270	1270
D			950	950	950	950	950
E	R model only		670	670	670	670	670
F	R model only		800	800	800	800	800
G	R model only		840	840	840	840	840
H			1050	1050	1050	1050	1050
I	Ironing width		1910	2120	2540	2750	3170
K			355	355	355	355	355
L			190	190	190	190	190
1 Control panel 2 Exhaust connection 3 Steam connection 4 Condensate connection 5 Electrical connection 6 Gas connection							

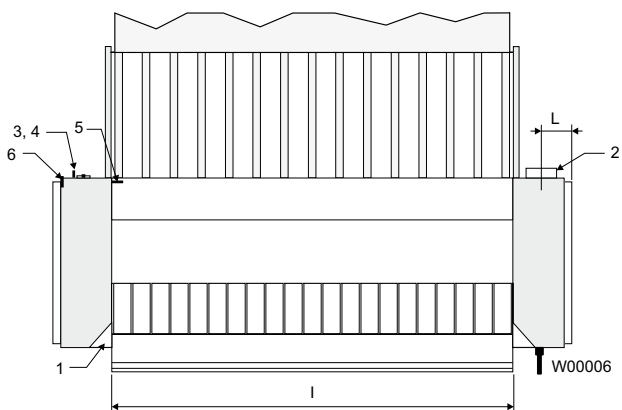
* Other voltages available, see installation manual.



Front view



Right view



Top view

